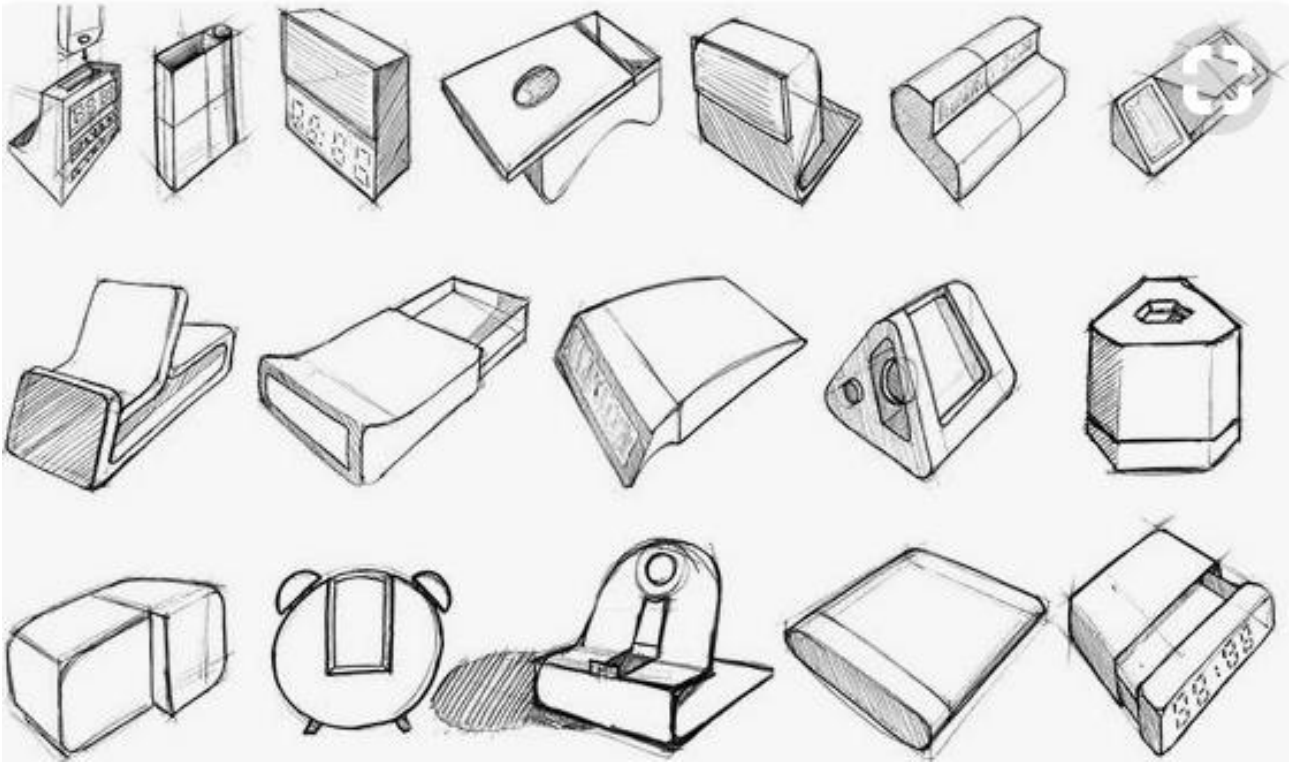


# Sketching Homework

- Sketching is an invaluable skill which can benefit a wide range of subjects, some find it relaxing and fun too.
- Attempt to sketch at least once per week in your sketch jotter. At regular intervals bring it in and let your teacher see it. Feel free to sketch other items using different media and on different surfaces – simply paste them in to your sketch jotter.

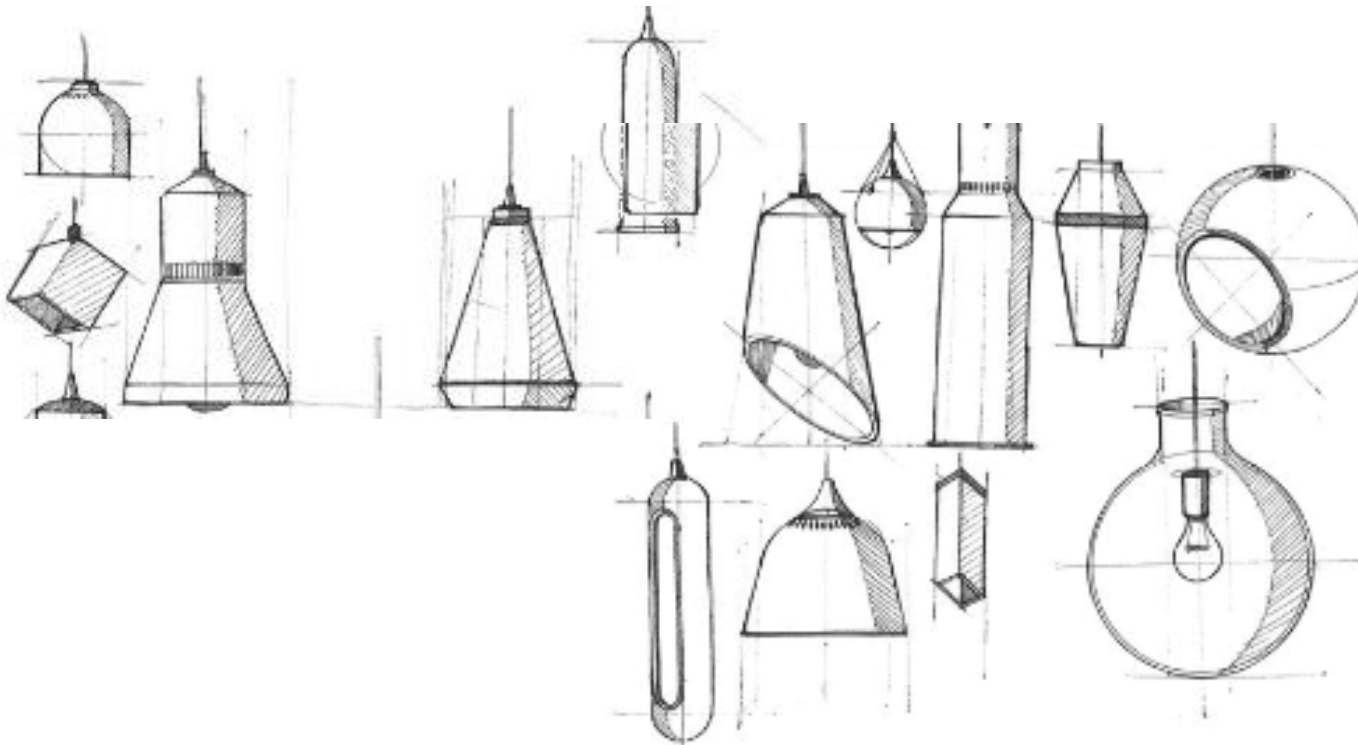
# Quick Sketches

Find a blue or black biro. Have a go at sketching some of the below – fill the double page.



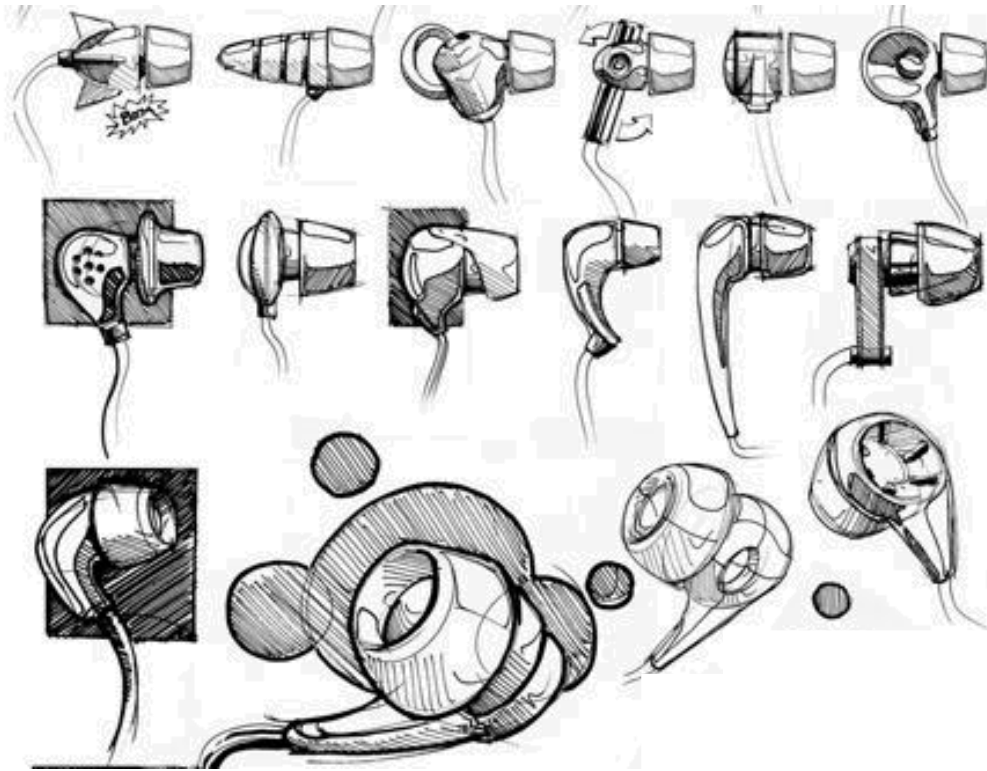
# Quick Sketches

Using a black pen (ideally fine liner) draw a double page – focus here is on shading with lines. Use a thicker line on the outside too.



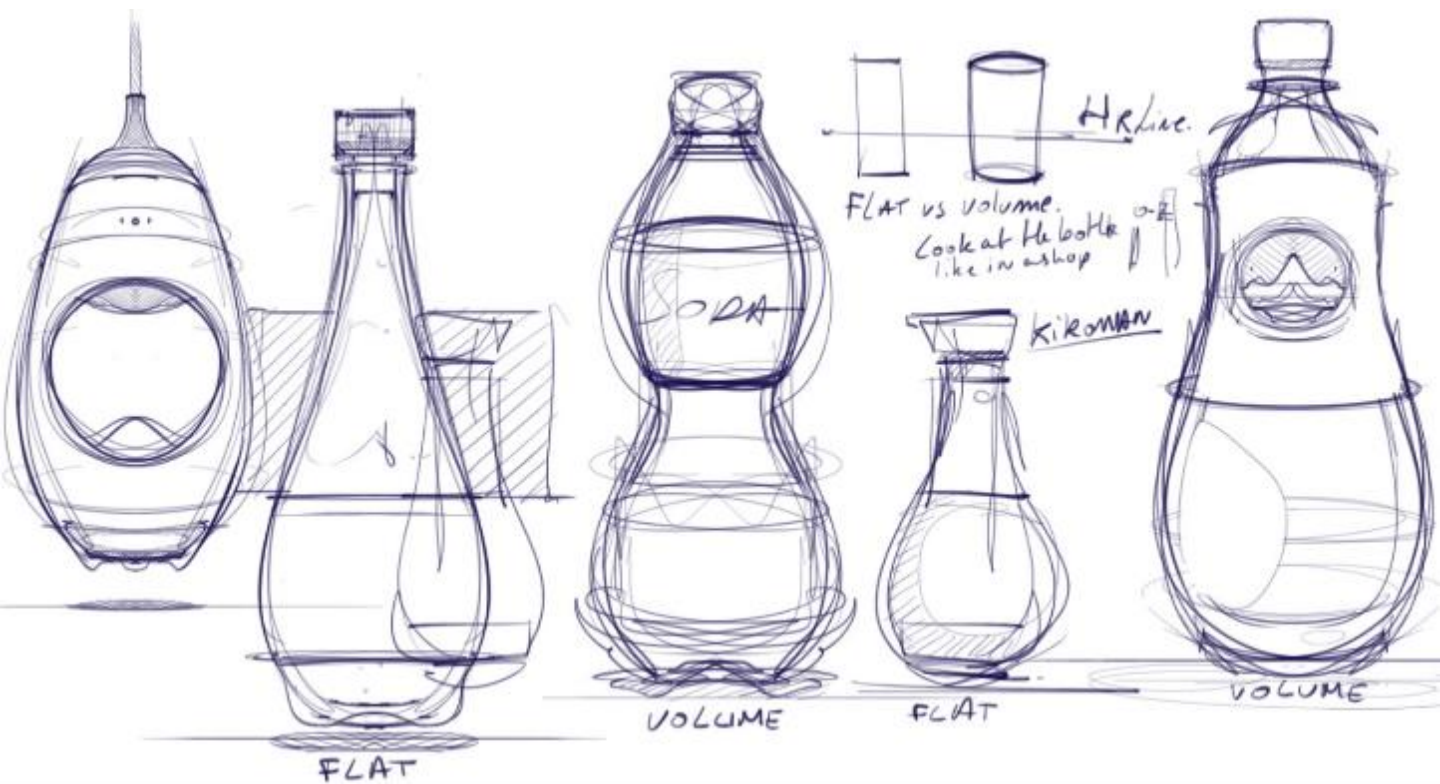
# Quick Sketches

Use a black pen, have a go at adding shade with the pen, look at the black outline it is thicker. This helps identify the drawing. Do two pages of sketching.

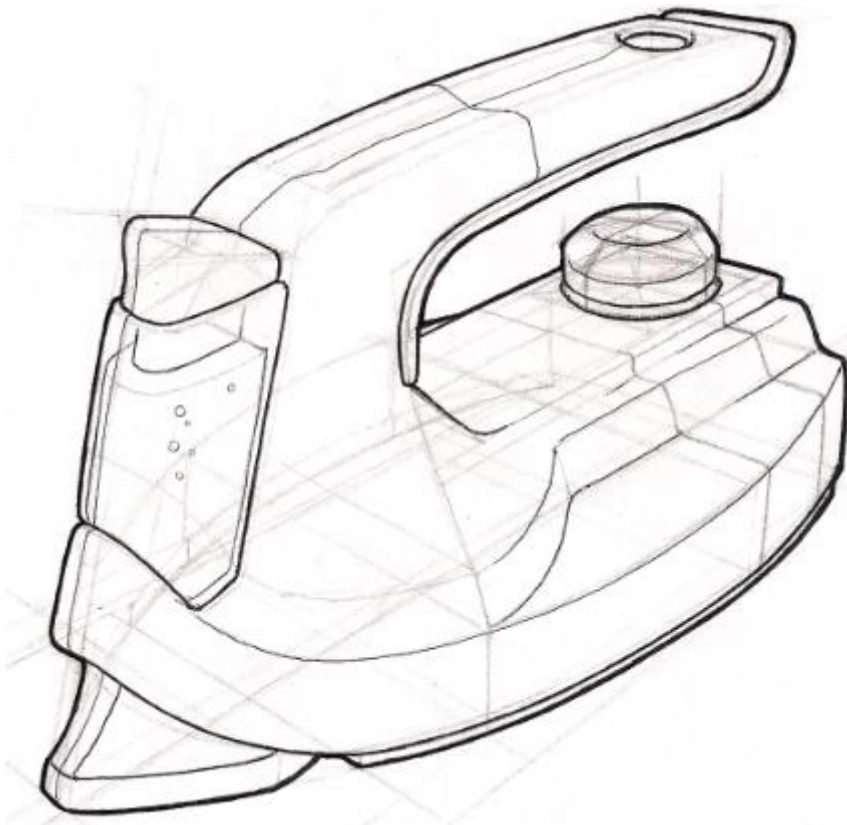


# Quick Sketches

Sketch out these drawings, then try your own. Fill two pages – try to use coloured pencils this time.



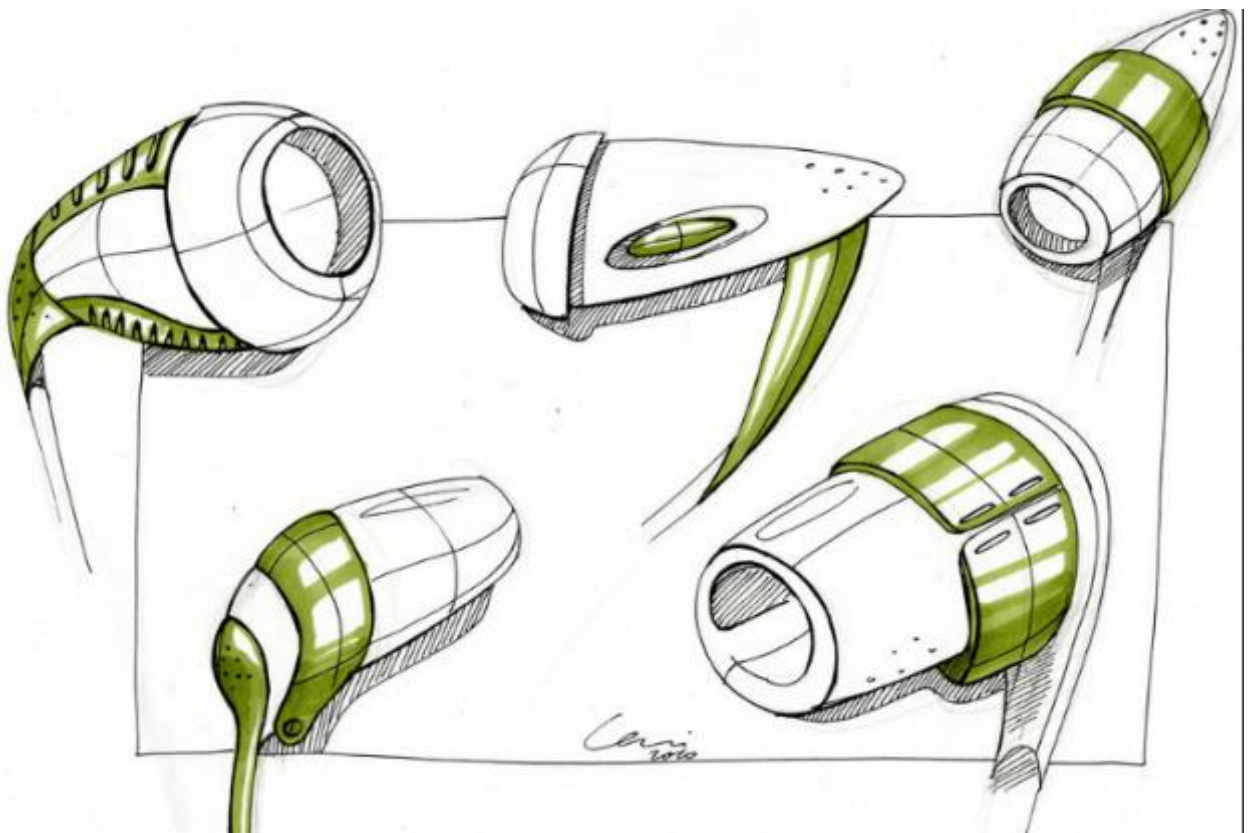
# Quick Sketches



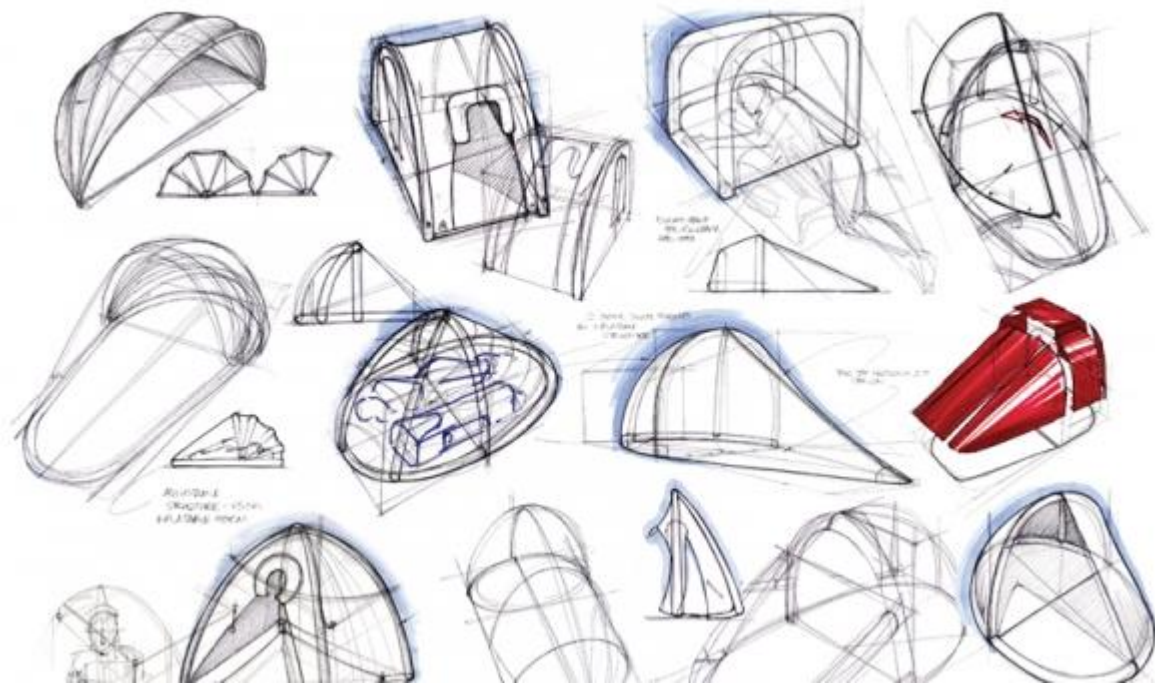
Using this drawing, have a go at rendering it, use the same colour on the whole design. Render at least 3! It would be even better if you have some time to sketch out your own iron.

# Quick Sketches

Sketch using pencils, outline using a black pen, then add colour. Ideally use a colouring in pen or a magic marker if you have it.



# Quick Sketches



This week is all about mixed skills. Have a go adding shade, pencil and pen sketches. Look at the angles used to get the isometric style.

# Quick Sketches



This week is all about doodling! You can have a go at copying this doodle, look up your own or just go for it. I want you to get your hand stronger at sketching for a longer period of time! Have fun...

# Quick sketches



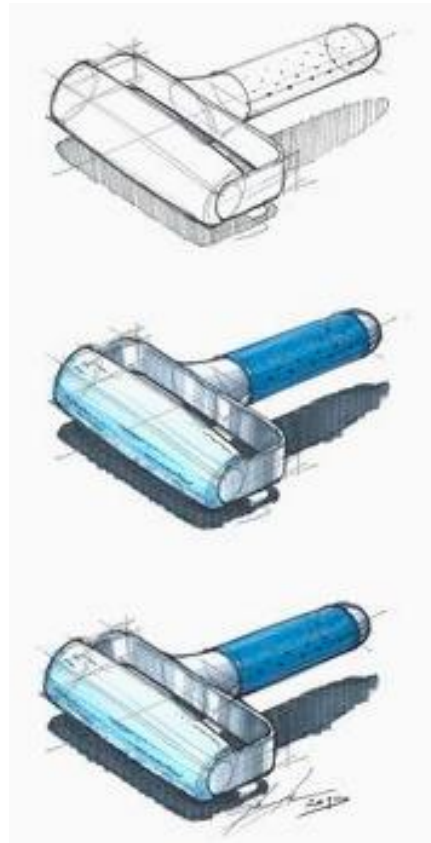
This week you are doodling letters – you can do your name or anything really. Fill up the double pages. Ideally I would like you to use just a black or blue pen – don't mix.

# Quick sketches

Sketch using pencils, outline using a black pen, then add colour. Ideally use a colouring in pen or a magic marker if you have it.

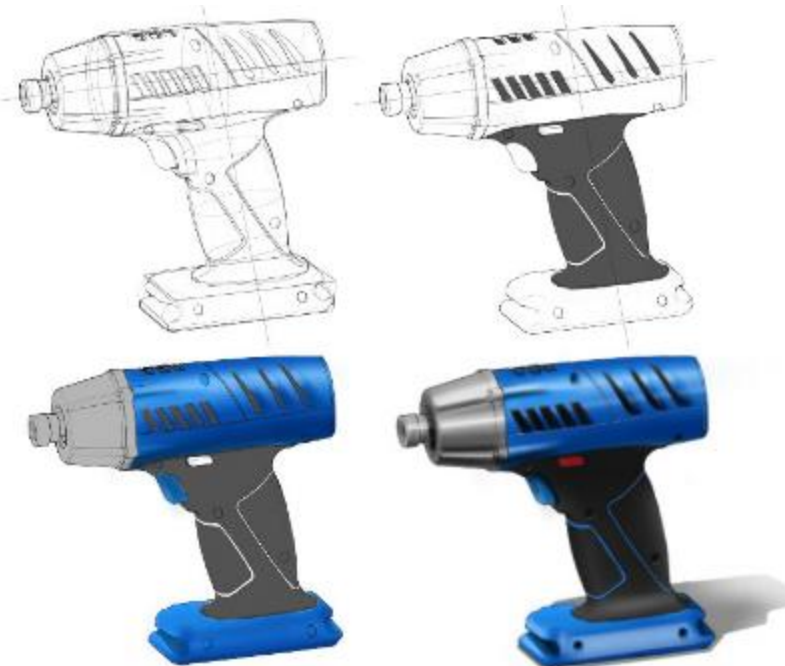


# Quick Sketches



Using this drawing, have a go at rendering it, use the same colour on the whole design. Render at least 3! It would be even better if you have some time to sketch out your own iron.

# Quick Sketches



This week you are going to render this heat gun. There are some step by steps to help you out. You can use magic markers or just coloured pens. If you don't have any of these try with coloured pencils.